

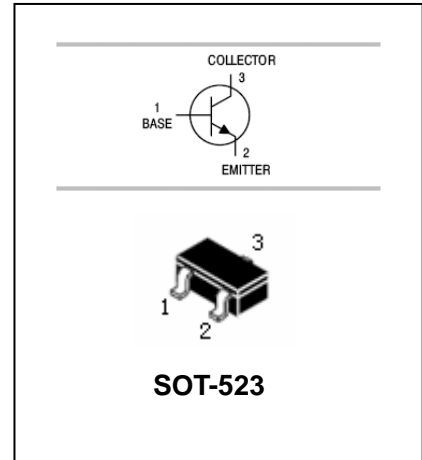


NPN general purpose Transistor

2SC4618

FEATURES

- Low collector capacitance.
- Low r_{bb} , high gain.
- Excellent noise characteristics.
- Available in 8mm,7-inch/3000 Unit Tape and reel.



APPLICATIONS

- High-frequency amplifier transistor.

ORDERING INFORMATION

Type No.	Marking	Package Code
2SC4618	AN/AP/AQ	SOT-523

MAXIMUM RATING @ Ta=25°C unless otherwise specified

Symbol	Parameter	Value	Units
V_{CBO}	Collector-Base Voltage	40	V
V_{CEO}	Collector-Emitter Voltage	25	V
V_{EBO}	Emitter-Base Voltage	5	V
I_C	Collector Current -Continuous	50	mA
P_C	Collector Dissipation	150	mW
T_j, T_{stg}	Junction and Storage Temperature	-55 to +150	°C



NPN general purpose Transistor

2SC4618

ELECTRICAL CHARACTERISTICS @ Ta=25°C unless otherwise specified

Parameter	Symbol	Test conditions	MIN	TYP	MAX	UNIT
Collector-base breakdown voltage	$V_{(BR)CBO}$	$I_C=50\mu A, I_E=0$	40			V
Collector-emitter breakdown voltage	$V_{(BR)CEO}$	$I_C=1.0mA, I_B=0$	25			V
Emitter-base breakdown voltage	$V_{(BR)EBO}$	$I_E=50\mu A, I_C=0$	5			V
Collector cut-off current	I_{CBO}	$V_{CB}=24V, I_E=0$			0.5	μA
Emitter cut-off current	I_{EBO}	$V_{EB}=3V, I_C=0$			0.5	μA
DC current gain	h_{FE}	$V_{CE}=6V, I_C=1mA$	56		270	
Collector-emitter saturation voltage	$V_{CE(sat)}$	$I_C=10mA, I_B=1mA$		0.1	0.3	V
Transition frequency	f_T	$V_{CE}=6V,$ $I_E=-1mA, f=100MHz$	150	300		MHz
Collector output capacitance	C_{ob}	$V_{CE}=6V, I_E=0mA, f=1MHz$		1.3	2.2	pF

CLASSIFICATION OF h_{FE}

RANK	N	P	Q
RANGE	56-120	82-180	120-270
MARKING	AN	AP	AQ



NPN general purpose Transistor

2SC4618

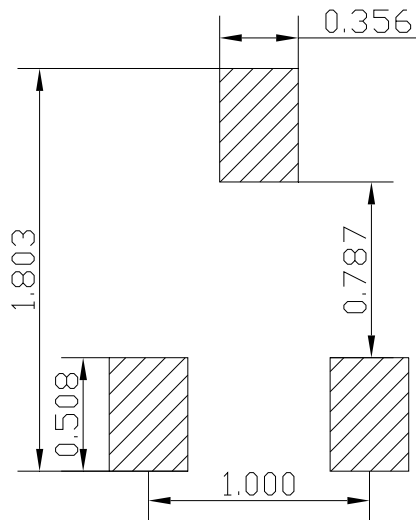
PACKAGE OUTLINE

Plastic surface mounted package

SOT-523

SOT-523		
Dim	Min	Max
A	1.5	1.7
B	0.75	0.85
C	0.6	0.8
D	0.15	0.3
G	0.9	1.1
H	0.02	0.1
J	0.1Typical	
K	1.45	1.75
All Dimensions in mm		

SOLDERING FOOTPRINT



Unit : mm

PACKAGE INFORMATION

Device	Package	Shipping
2SC4618	SOT-523	3000/Tape&Reel